

- Power over Ethernet (PoE+)
- Extension consoles connectivity¹
- 1 Gbit Ethernet ports
- Color LCD
- Up to 6 SIP accounts
- Autoprovision
- Headset connectivity



VP-30P is up-to-date multifunctional IP phone designed for offices. High resolution color LCD and high performance hardware provide intuitive interface and instant system response. Integrated gigabit switch enables connection of user's PC and IP phone to the same Ethernet switch physical port.

High quality of sound

The high performance and reliability of VP-30P are provided by the hardware based on advanced chips. Support for all main audio codecs used in VoIP networks (G.711U, G.711A, G.729) and DTMF signal receive and generation ensure high quality of voice data.

Usability

Convenient key location, intuitive menu and user-friendly web interface provide usability of VP-30P in corporate telephone networks. Support for consoles VP-EXT22¹ extends the phone capabilities and increases the number of keys, which can be programmed at user's convenience.

Features and capabilities

Sound features

- Voice narrowband codecs: G.711 (PCMA/PCMU), G.729
- DTMF transmission: In-band, RFC2833, SIP INFO

Phone features

- 6 SIP accounts
- Displaying of caller name and number (CallerID)
- Mute
- Redial
- Call Hold
- Call Transfer
- Call Waiting
- Call Forwarding Busy (CFB)
- Call Forwarding No Reply (CFNR)
- Call Forwarding Unconditional (CFU)
- Do Not Disturb (DND)
- Caller Line Identification Restriction (CLIR)
- Remote Conference (RFC4579)
- Different ringtones for accounts¹
- Call History
- Local Phonebook up to 1000 entries
- Remote Phonebook
- Support for LDAP
- Support for speakerphone
- Busy Lamp Field (BLF)
- Message Waiting Indication (MWI)¹

- SIP MESSAGE¹
- Call recording to USB drive¹
- Screenshots¹
- Power saving mode
- Support for up to three VP-EXT22 extension consoles¹

Technical features

- CPU: 2 cores × 800 MHz
- DDR3: 256 MB
- NAND Flash: 512 MB
- OS: Linux

Display, indicators and keys

- 4.3 inch (109 mm) backlit color display with 800 × 480 resolution
- Two-color phone state LED indicator
- Two-color programmable keys LED indicators
- Interface language selection (English and Russian)
- Background drawing
- Screensaver¹
- Functional keys with LED indications: headset, microphone mute, speakerphone
- Functional keys without LED indications: conference, call hold, call transfer, redial, volume adjustment
- 10 programmable keys

¹ The feature will be available in future firmware versions.

Features and capabilities

Monitoring and management

- Web interface
- Display menu
- SSH
- Autoprovision (FTP/TFTP/HTTP/HTTPS)
- Device monitoring via web interface
- Displaying of debugging information in Syslog/USB¹
- Action URL¹, active URI¹

Interfaces

- 2 × RJ-45 10/100/1000 Mbps Ethernet ports
- 1 × RJ-9 (4P4C) for handset connection
- 1 × RJ-9 (4P4C) for headset connection
- 1 × RJ-25 (6P6C) for extension console VP-EXT22 connection
- PoE+ 802.3at
- 1 × USB 2.0 for USB devices

Network protocols and security

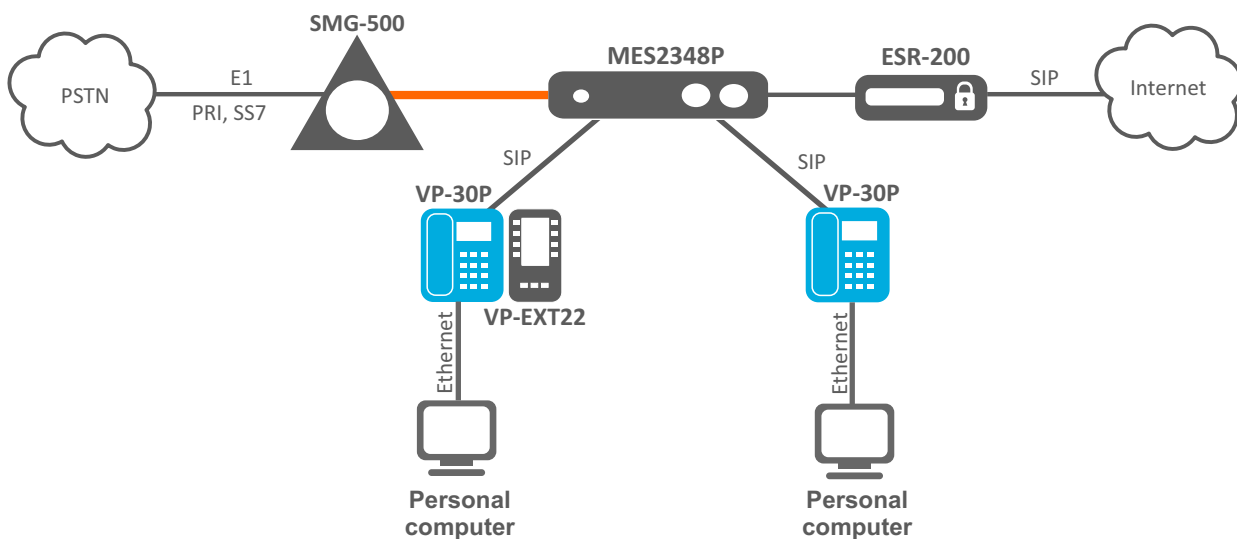
- SIP v1 (RFC2543), v2 (RFC3261)
- Data network connection (static IP, DHCP)
- VLAN 802.1Q¹

- QoS: 802.1P, DSCP¹
- DNS (RFC1034, RFC1035)
- NTP: time and date synchronization
- LLDP-MED¹
- HTTP/HTTPS¹ web server
- TLS/sRTP¹
- RADIUS 802.1x¹
- STUN (RFC5389, RFC8489)¹
- Certificate download¹

Physical features

- Power adapter (optional): input 100-240V AC, output 12 V DC, 3 A
- PoE+ consumption: 24 W (when three VP-EXT22¹ extension consoles connected)
- Desktop implementation
- Dimensions (W × H × D): 228 × 86 × 220 mm
- Weight: 1.011 kg
- Operating temperature: from +5 to +40 °C
- Relative humidity at 25 °C: up to 80 %

Use case



Ordering information

Name	Description
VP-30P	IP phone VP-30P: 2 × 10/100/1000BASE-T (RJ-45), LCD, PoE+

Related products

VP-EXT22	Extension module with 22 keys with LED indication, 3 virtual pages
----------	--

¹ The feature will be available in future firmware versions.

Contact us

+7 (383) 274 10 01
+7 (383) 274 48 48

eltex@eltex-co.ru

www.eltex-co.com

About ELTEX

ELTEX Enterprise Ltd. is a leading Russian developer and manufacturer of communication equipment with 30 years of history. Complete solutions and their seamless integrability into the Customer's infrastructure are the priority growth areas of the company.