

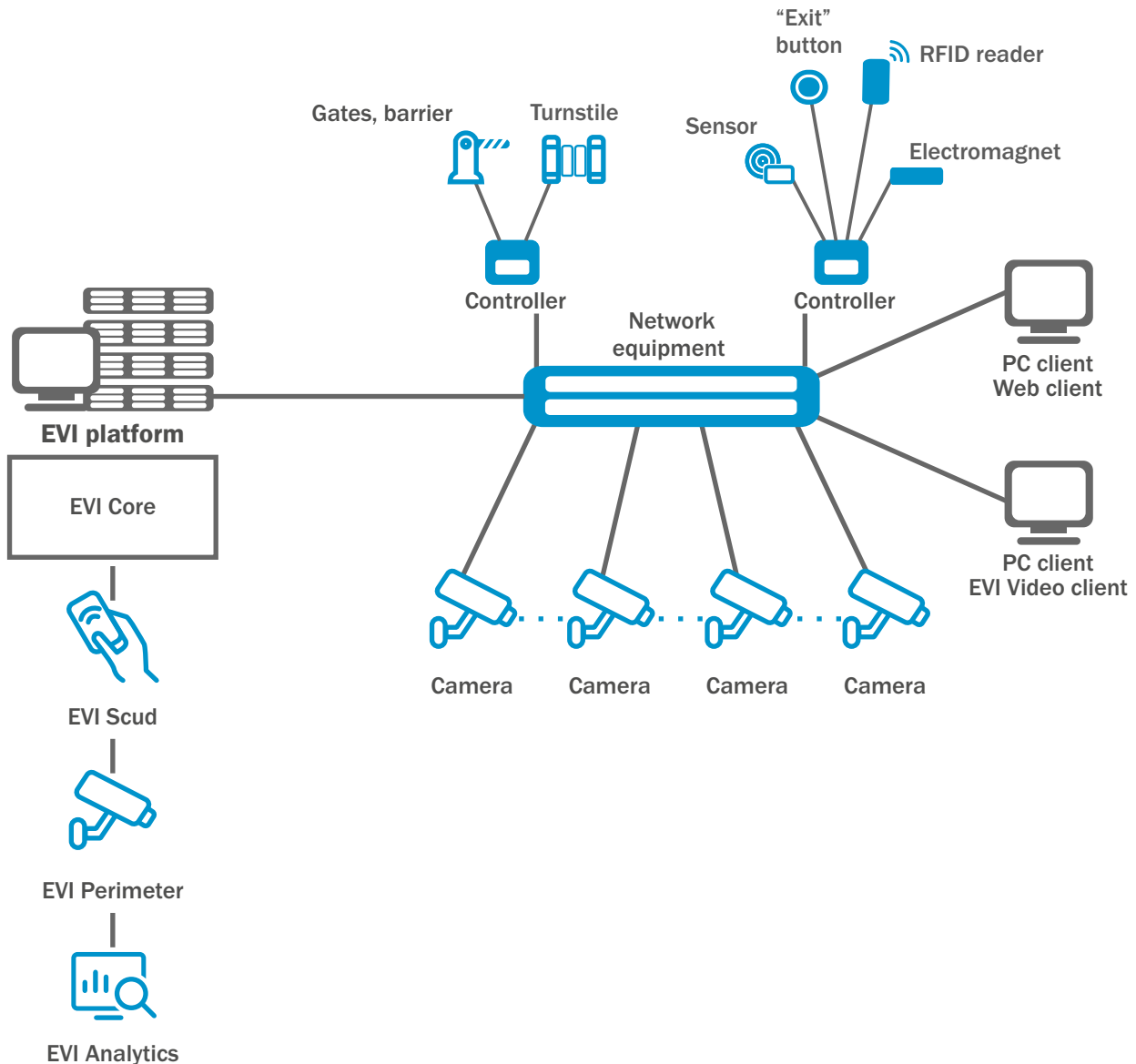
- Video surveillance
- Physical Access Control System (PACS)
- Analytics
- User-friendly interface

EVI Platform is designed to organize a unified system for management, configuration and monitoring of devices (controllers and cameras)¹.

EVI Platform includes:

- **EVI Core** is a platform core designed for modules configuration;
- **EVI Core Web** is a web GUI for system management;
- **EVI Scud** is a module of the access control and management system designed for organizing access control in the company;
- **EVI Analytics** is a video analytics module designed for detecting, recognizing, counting and tracking objects according to models;
- **EVI Perimeter** is a video surveillance module designed for receiving video streams from cameras and saving them to the archive;
- **EVI Video Client** is an application designed for viewing video streams from cameras and interacting with the video archive.

Use case



¹ Third-party cameras are supported, but only ELTEX controllers are compatible.

Features and capabilities

EVI Core

- Interactive plan
- System logs
- Event notifications in the web interface
- Remote device rebooting
- Copying settings between devices
- Creating the organization hierarchy
- Support for administrator and security roles

EVI Scud

- Automatic addition of PACS controllers to the system
- Flexible access management according to the list of allowed places and visiting times
- Support for various work schedules from five-day to shift work schedules
- Securing the premises
- Tracking incidents in the platform with mandatory confirmation
- Site visits reporting
- Remote access
- Access to face and vehicle recognition
- Generation of employee profiles
- Access pass management
- Support for guest mode
- Support for time tracking

EVI Analytics

- Processing surveillance camera video streams with analytics
- Support for video analytics: license plate numbers, faces and objects
- Configuring actions based on the result of recognition and detection
- Saving analytics results to the video archive

EVI Perimeter

- Receiving video feed from video surveillance cameras
- Viewing live video feeds from cameras
- Combining streams from different cameras onto one screen in different configurations
- Recording video stream data to the archive in motion mode
- Recording video stream data to the archive in permanent recording mode
- Recording video stream data to archive in permanent recording mode + motion tagging
- Recording video stream data to archive in schedule mode
- Generating screenshots from the archive and camera feed
- Uploading videos from the archive
- Access to the video archive from the client interface and web interface
- Archive playback speed control
- Support for multiple video streams from a single camera
- Motion detection module on the server
- Support for video codecs: H.264, H.265
- Support for RTP/RTSP
- Visual client working on Linux, Windows 10
- Import and export in csv format
- Adding cameras using ONVIF
- Support for PTZ
- Support for fisheye cameras
- Support for WebSocket between client and server;
- Full screen mode
- Support for 3 monitors for video wall display

Contact us

About ELTEX



+7 (383) 274 10 01
+7 (383) 274 48 48



eltex@eltex-co.ru



www.eltex-co.com

ELTEX Enterprise is a leading Russian developer and manufacturer of communication equipment with 30 years of history. Complete solutions and their seamless integrability into the Customer's infrastructure are the priority growth areas of the company.