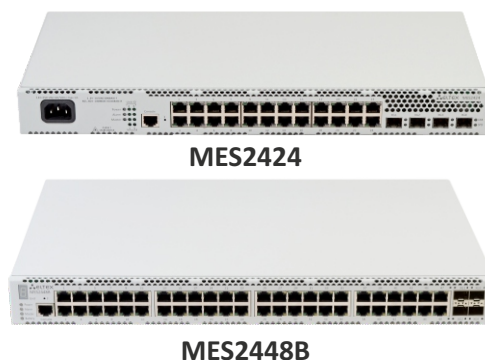


- Advanced L2 features
- Support for Multicast (IGMP Snooping, MVR)
- Advanced security functions (L2-L4 ACL, IP Source Guard, Dynamic ARP Inspection, etc.)
- Uninterruptible power supply from rechargeable battery<sup>1</sup>



The Ethernet access switches provide end users connection to networks of large enterprises, small and mid-sized businesses and service providers via 1G/10G interfaces.

The switches support Virtual Local Area Networks (VLAN), multicast groups and advanced security functions.

### Uninterruptible power<sup>1</sup>

MES2424B, MES2448B and MES2448E switches can be equipped with a rechargeable battery to ensure power supply in case of the 220 V primary network connection loss. The switch is also equipped with a power supply unit which allows the battery to be charged when 220 V power is available. Power supply redundancy system makes it possible to monitor the state of the primary network and notify of a power type switching.

### Technical features

	MES2424 AC <sup>CE</sup>	MES2424 DC <sup>CE</sup>	MES2424B	MES2448 DC <sup>CE</sup>	MES2448B	MES2448E <sup>ⓘ</sup>
<b>Interfaces</b>						
10/100/1000BASE-T (RJ-45)	24	24	24	48	48	48
1000BASE-X (SFP)/ 10GBASE-R (SFP+)	4	4	4	4	4	6
Console port RS-232				1		
<b>Performance</b>						
Bandwidth	128 Gbps	128 Gbps	128 Gbps	176 Gbps	176 Gbps	216 Gbps
Throughput for 64-byte packets <sup>2</sup>	95.2 MPPS	95.2 MPPS	95.2 MPPS	130.9 MPPS	130.9 MPPS	160.7 MPPS
Buffer memory	1.5 MB	1.5 MB	1.5 MB	2 MB	2 MB	2 MB
RAM (DDR3)	512 MB					
ROM (SPI Flash)	64 MB					
MAC table	16384	16384	16384	32768	32768	32768
ARP table	1000					
VLAN table	4094					
L2 Multicast groups (IGMP Snooping)	1023	1023	1023	4094	4094	4094
L3 Multicast groups (IGMP Proxy)	512	512	512	2048	2048	2048
SQinQ rules number	384 (ingress)/512 (egress)			768 (ingress)/1024 (egress)		

<sup>1</sup> Only for MES2424B, MES2448B and MES2448E.

<sup>2</sup> Values are for one-way transmission.

<sup>CE</sup> — device complies with CE requirements.

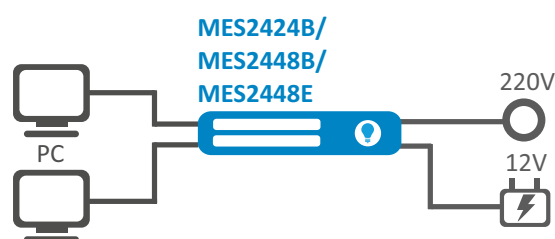
<sup>ⓘ</sup> — device is under development.

## Technical features (continued)

	MES2424 AC <sup>CE</sup>	MES2424 DC <sup>CE</sup>	MES2424B	MES2448 DC <sup>CE</sup>	MES2448B	MES2448E <sup>!</sup>
MAC ACL rules	509	509	509	766	766	766
IPv4/IPv6 ACL rules	384/192	384/192	384/192	640/320	640/320	640/320
L3 interfaces	8 VLANs, up to 5 of IPv4 addresses for each VLAN, up to 300 of IPv6 GUA for all VLANs in summary					
Link Aggregation Groups (LAG)	24 groups, up to 8 ports in one LAG					
Quality of Service (QoS)	8 egress queues per port					
Jumbo frames	maximum packet size is 12288 bytes					

## Technical features of redundancy power supply\*

	Battery capacity, Ah	Battery life, h	Battery charge time, h
MES2424B	12	≈6	≈9
	17	≈10	≈13
	20	≈13	≈15
MES2448B MES2448E	12	≈2,5	≈13
	17	≈5	≈18
	20	≈6,5	≈22



### \* Notes

- Parameters are given for environment temperature +25 °C;
- For MES2424B the use of a rechargeable battery with a capacity of at least 12Ah is recommended;
- For MES2448B, MES2448E the use of a rechargeable battery with a capacity of at least 9Ah is recommended.

## Features and capabilities

### Interface features

- Head-of-line blocking (HOL) protection
- Auto MDI/MDIX
- Jumbo frames
- Flow Control IEEE 802.3X
- Port mirroring (SPAN, RSPAN)

### MAC table

- Independent learning mode per VLAN
- MAC Multicast Support
- Configurable aging time of MAC addresses
- Static MAC Entries
- MAC change events monitoring per ports
- MAC Flapping

### VLAN features

- IEEE 802.1Q
- Q-in-Q
- Selective Q-in-Q
- GVRP
- MAC-based VLAN
- Protocol-based VLAN

### L2 Multicast features

- Multicast profiles
- Static Multicast groups
- IGMP Snooping v1,2,3
- IGMP Snooping fast-leave

- IGMP Proxy reporting
- IGMP authorization via RADIUS
- MLD Snooping v1,2<sup>1</sup>
- MLD Snooping fast-leave<sup>1</sup>
- IGMP Querier
- MVR

### L2 features

- STP (Spanning Tree Protocol, IEEE 802.1d)
- RSTP (Rapid Spanning Tree Protocol, IEEE 802.1w)
- MSTP (Multiple Spanning Tree Protocol, IEEE 802.1s)
- STP Root Guard
- STP Loop Guard
- STP BPDU Guard
- BPDU Filtering
- Spanning Tree Fast Link option
- Loopback Detection (LBD)
- Port isolation
- Storm Control for different traffic types (broadcast, multicast, unknown unicast)
- Layer 2 Protocol Tunneling (L2PT)
- ERPS (G.8032v2)

### L3 Multicast features

- IGMP proxy (RFC 4605)
- IGMP proxy fast-leave

<sup>1</sup>Not supported by MES2448B and MES2448E current firmware versions.

<sup>!</sup> – MES2448E is under development.

## Features and capabilities (continued)

### Link Aggregation functions

- Static LAG
- Dynamic LAG
- LAG Balancing Algorithm

### Service functions

- Virtual Cable Test (VCT)
- Optical transceiver diagnostics

### IPv6 functions

- IPv6 Host
- Dual-stack IPv4, IPv6

### Security functions

- DHCP Snooping
- DHCP option 82
- MAC-based authentication, Port Security, static MAC addresses
- IEEE 802.1x port-based authentication
- DoS attacks prevention
- Traffic segmentation
- DHCP clients filtering
- BPDU attacks prevention
- PPPoE Intermediate Agent
- IP Source Guard
- Dynamic ARP Inspection
- DHCPv6 Snooping
- IPv6 Source Guard
- IPv6 ND Inspection
- IPv6 RA Guard

### ACL (Access Control List)

- L2-L3-L4 ACL (Access Control List)
- IPv6 ACL
- ACL based on:
  - Switch port
  - IEEE 802.1p priority
  - VLAN ID
  - EtherType
  - DSCP
  - IP protocol type
  - TCP/UDP port number
  - User Defined Bytes

### Quality of service (QoS) and rate limiting

- Port rate limiting (shaping)
- Rate limiting according to srTCM and trTCM policing algorithms
- IEEE 802.1p Class of Service (CoS)
- Queue scheduling algorithms: Strict Priority/Weighted Round Robin (WRR)
- IEEE 802.1p priority tagging for VLAN management
- ACL-based traffic classification
- ACL-based CoS/DSCP marking
- DSCP to CoS remarking
- CoS to DSCP remarking
- ACL-based VLAN assignment

### OAM

- IEEE 802.3ah, Ethernet OAM
- Dying Gasp
- IEEE 802.3ah Unidirectional Link Detection (UDLD)

### Main management functions

- Download and upload of configuration file via TFTP/SFTP
- Automated backup of configuration file via TFTP/SFTP
- Simple Network Management Protocol (SNMP)
- Command Line Interface (CLI)
- Web interface
- Syslog
- SNTP (Simple Network Time Protocol)
- Traceroute
- LLDP (IEEE 802.1ab) + LLDP MED
- Two 802.1Q headers traffic control
- Commands Authorization using TACACS+ server
- IPv4/IPv6 ACL support for device control
- Switch access management — privilege levels for users
- Management interface blocking
- Local authentication
- IP addresses filtering for SNMP
- RADIUS and TACACS+ (Terminal Access Controller Access Control System) clients
- Telnet client, SSH client
- Telnet server, SSH server
- Macro commands
- Input commands logging via TACACS+ protocol
- DHCP auto configuration
- DHCP Relay (IPv4 support)
- DHCP Relay Option 82
- DHCP server
- PPPoE Circuit-ID tag adding
- Flash File System
- Debug commands
- CPU traffic limiting
- Password encryption
- Ping (IPv4/IPv6 support)
- IPv4/IPv6 static routing
- Support for several versions of configuration file

### Monitoring functions

- Interface statistics
- CPU utilization monitoring per task and per queue
- RAM usage monitoring
- Temperature monitoring
- TCAM monitoring

### Uninterruptible power supply<sup>1</sup>

- Automatic switching to 12 V rechargeable battery when the primary power supply (220V) fails, and vice versa
- 12 V battery charging when operating from 220 V primary power supply
- Power supply type monitoring (SNMP)

<sup>1</sup>Only for MES2424B, MES2448B and MES2448E.

### Features and capabilities (continued)

- Notification of switching from one type of power to another
- Battery connection indication
- Low battery alarm
- Short circuit protection

#### MIB/IETF standards

- RFC 1065, 1066, 1155, 1156, 2578 MIB Structure
- RFC 1212 Concise MIB Definitions
- RFC 1213 MIB II
- RFC 1215 MIB Traps Convention
- RFC 1493, 4188 Bridge MIB
- RFC 1157, 2571-2576 SNMP MIB
- RFC 1901-1908, 3418, 3636, 1442, 2578 SNMPv2 MIB
- RFC 2465 IPv6 MIB
- RFC 2737 Entity MIB
- RFC 4293 IPv6 SNMP Mgmt Interface MIB
- Private MIB
- RFC 1398, 1643, 1650, 2358, 2665, 3635 Ether-like MIB
- RFC 2668 802.3 MAU MIB

- RFC 2674, 4363 802.1p MIB
- RFC 2233, 2863 IF MIB
- RFC 2618 RADIUS Authentication Client MIB
- RFC 4022 MIB for TCP
- RFC 4113 MIB for UDP
- RFC 3289 MIB for Diffserv
- RFC 2620 RADIUS Accounting Client MIB
- RFC 768 UDP
- RFC 791 IP
- RFC 792 ICMPv4
- RFC 2463, 4443 ICMPv6
- RFC 793 TCP
- RFC 2474, 3260 Definition of the DS field in the IPv4 and IPv6 Headers
- RFC 1321, 2284, 2865, 3580, 3748 Extensible Authentication Protocol (EAP)
- RFC 2571, RFC 2572, RFC 2573, RFC 2574 SNMP
- RFC 826 ARP
- RFC 854 Telnet

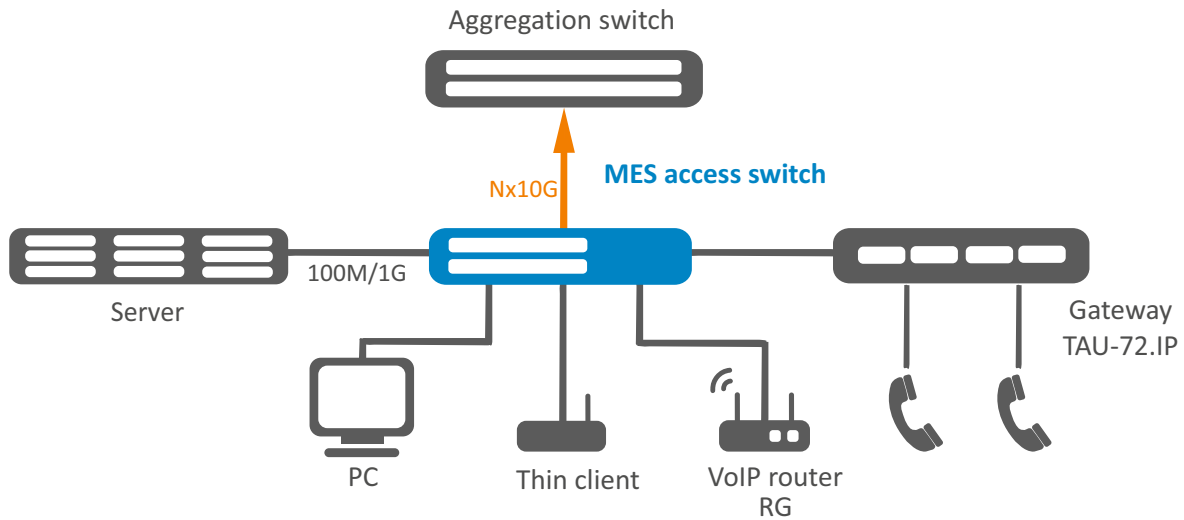
### Physical parameters

	MES2424 AC <sup>CC</sup>	MES2424 DC <sup>CC</sup>	MES2424B	MES2448 DC <sup>CC</sup>	MES2448B	MES2448E <sup>CC</sup>
<b>Physical specifications and environmental parameters</b>						
Power supply	100–240 V AC, 50–60 Hz	18–72 V DC	100–240 V AC, 50–60 Hz; 12 V DC	36–72 V DC	110–250 V AC, 50–60 Hz; 12 V DC	110–250 V AC, 50–60 Hz; 12 V DC
Input current	0.3–0.2 A	1.5–0.4 A	0.5–0.3 A for AC 4.1 A for DC	1.4–0.7 A	0.6–0.3 A for AC 5.5 A for DC	0.7–0.3 A for AC 5.7 A for DC
Maximum power consumption	25 W	26 W	49 W	48 W	66 W	68 W
Maximum power consumption (without battery charge)	—	—	25 W	—	48 W	50 W
Heat dissipation	25 W	26 W	27 W	48 W	53 W	—
Hardware support for Dying Gasp	yes	no	no	no	yes	yes
Operating temperature range <sup>1</sup>	from -20 °C to +50 °C					
Storage temperature range	from -40 °C to +70 °C					
Cooling	passive			active, 2 fans		
Operating humidity	no more than 80 %					
Form factor	19", 1U					
Dimensions (W × H × D)	430 × 44 × 203 mm	430 × 44 × 203 mm	430 × 44 × 203 mm	440 × 44 × 280 mm	440 × 44 × 280 mm	440 × 44 × 280 mm
Weight	2.44 kg	2.42 kg	2.54 kg	3.98 kg	3.98 kg	4.02 kg

<sup>1</sup>For MES2424 AC and MES2424B: when using commercial SFP+ transceivers operating temperature must not exceed +45 °C.

 — device is under development.

Use case



Ordering information

Name	Description
MES2424 AC	Ethernet switch MES2424 AC, 24 ports of 10/100/1000BASE-T, 4 ports of 1000BASE-X/10GBASE-R, L2, 110-250 V AC
MES2424 DC	Ethernet switch MES2424 DC, 24 ports of 10/100/1000BASE-T, 4 ports of 1000BASE-X/10GBASE-R, L2, 18-72 V DC
MES2424B	Ethernet switch MES2424B, 24 ports of 10/100/1000BASE-T, 4 ports of 1000BASE-X/10GBASE-R, L2, 110-250 V AC, 12 V DC
MES2448 DC	Ethernet switch MES2448 DC, 48 ports of 10/100/1000BASE-T, 4 ports of 1000BASE-X/10GBASE-R, L2, 36-72 V DC
MES2448B	Ethernet switch MES2448B, 48 ports of 10/100/1000BASE-T, 4 ports of 1000BASE-X/10GBASE-R, L2, 110-250 V AC, 12 V DC
MES2448E	Ethernet switch MES2448E, 48 ports of 10/100/1000BASE-T, 6 ports of 1000BASE-X/10GBASE-R, L2, 110-250 V AC, 12 V DC

Related software

ECCM-MES2424_AC	ECCM-MES2424_AC option of Eltex ECCM control system to manage and monitor Eltex network elements: 1 network element MES2424_AC
ECCM-MES2424_DC	ECCM-MES2424_DC option of Eltex ECCM control system to manage and monitor Eltex network elements: 1 network element MES2424_DC
ECCM-MES2424B	ECCM-MES2424B option of Eltex ECCM control system to manage and monitor Eltex network elements: 1 network element MES2424B
ECCM-MES2448_DC	ECCM-MES2448_DC option of Eltex ECCM control system to manage and monitor Eltex network elements: 1 network element MES2448_DC
ECCM-MES2448B	ECCM-MES2448B option of Eltex ECCM control system to manage and monitor Eltex network elements: 1 network element MES2448B
ECCM-MES2448E	ECCM-MES2448E option of Eltex ECCM control system to manage and monitor Eltex network elements: 1 network element MES2448E

— device is under development.

Contact us

+7 (383) 274 10 01  
+7 (383) 274 48 48

[eltex@eltex-co.ru](mailto:eltex@eltex-co.ru)

[www.eltex-co.com](http://www.eltex-co.com)

About ELTEX

ELTEX Enterprise is a leading Russian developer and manufacturer of communications equipment with 30 years of history. Complete solutions and their seamless integrability into Customer's infrastructure are the priority growth areas of the company.