

- Non-blocking architecture
- Advanced L2 features
- Support for Multicast (IGMP Snooping, MVR)
- Advanced security functions (L2-L4 ACL, IP Source Guard, Dynamic ARP Inspection, etc.)
- Uninterruptible power supply from rechargeable battery¹





MES2408x series switches provide end users connection to networks of large enterprises, small and mid-sized businesses and service providers via Gigabit Ethernet interfaces.

The switches support Virtual Local Area Networks (VLAN), multicast groups and advanced security functions.

Uninterruptible power¹


MES2408B switches can be equipped with a rechargeable battery to ensure power supply in case of the 220 V primary network connection loss. The switch is also equipped with a power supply unit which allows the battery to be charged when 220 V power is available. Power supply redundancy system makes it possible to monitor the state of the primary network and notify of a power type switching.

Technical features

	MES2408 	MES2408B	MES2408C 
Interfaces			
10/100/1000BASE-T (RJ-45)	8	8	8
Combo 10/100/1000BASE-T/100BASE-FX/1000BASE-X	–	–	2
100BASE-FX/1000BASE-X (SFP)	2	2	–
Console port RS-232 (RJ-45)		1	
Performance			
Bandwidth	20 Gbps		
Throughput for 64-byte packets ²	14.88 MPPS		
Buffer memory	512 KB		
RAM (DDR3)	256 MB		
ROM (SPI Flash)	32 MB		
MAC table	8192		
ARP table	1000		
VLAN table	4094		
L2 Multicast groups (IGMP Snooping)	509		
SQinQ rules number	128 (ingress), 256 (egress)		
MAC ACL rules	381		
IPv4/IPv6 ACL rules	219/128		
L3 interfaces	8 VLANs, up to 5 of IPv4 addresses for each VLAN, up to 300 of IPv6 GUA for all VLANs in summary		
Link Aggregation Groups (LAG)	8 groups, up to 8 ports in one LAG		
Quality of Service (QoS)	8 egress queues per port		
Jumbo frames	maximum packet size is 10000 bytes		

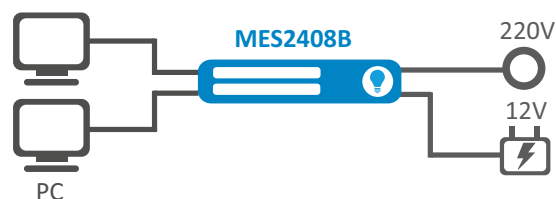
¹Only for MES2408B.

²Values are given for one-way transmission.

 – the device complies with CE requirements.

Technical features of redundancy power supply* (for MES2408B)

	Battery capacity, Ah	Battery life, h	Battery charge time, h
MES2408B	12	≈20	≈9
	17	≈24	≈13
	20	≈28	≈15



* Notes

- Parameters are given for environment temperature +25 °C;
- For MES2408B the use of a rechargeable battery with a capacity of at least 12Ah is recommended.

Features and capabilities

Interface features

- Head-of-line blocking (HOL) protection
- Auto MDI/MDIX
- Jumbo frames
- Flow Control IEEE 802.3X
- Port mirroring (SPAN, RSPAN)

MAC table

- Independent learning mode per VLAN
- MAC Multicast Support
- Configurable aging time of MAC addresses
- Static MAC Entries
- MAC change events monitoring per ports
- MAC Flapping logging

VLAN features

- Voice VLAN
- IEEE 802.1Q
- Q-in-Q
- Selective Q-in-Q
- GVRP
- MAC-based VLAN
- Protocol-based VLAN

L2 Multicast features

- Multicast profiles
- Static Multicast groups
- IGMP Snooping v1,2,3
- IGMP Snooping fast-leave
- IGMP proxy-report
- IGMP authorization via RADIUS
- MLD Snooping v1, 2
- MLD Snooping fast-leave
- IGMP Querier
- MVR

L2 features

- STP (Spanning Tree Protocol, IEEE 802.1d)
- RSTP (Rapid Spanning Tree Protocol, IEEE 802.1w)
- MSTP (Multiple Spanning Tree Protocol, IEEE 802.1s)
- STP Root Guard
- STP Loop Guard
- STP BPDU Guard
- BPDU Filtering
- Spanning Tree Fast Link option
- Layer 2 Protocol Tunneling (L2PT)

- Loopback Detection (LBD)
- Port isolation
- Storm Control for different types of traffic (broadcast, multicast, unknown unicast)

Link Aggregation functions

- Link Aggregation Groups (LAG)
- LACP
- LAG Balancing Algorithm

Service functions

- Virtual Cable Test (VCT)
- Optical transceiver diagnostics

IPv6 support

- IPv6 Host
- Dual-stack IPv4, IPv6

Security functions

- DHCP Snooping
- DHCP Option 82
- IP Source Guard
- Dynamic ARP Inspection (Protection)
- MAC-based authentication, Port Security, static MAC entries
- Port-based authentication IEEE 802.1x
- Guest VLAN
- DoS attacks prevention
- Traffic segmentation
- DHCP clients filtering
- BPDU attacks prevention
- PPPoE Intermediate agent
- DHCPv6 Snooping
- IPv6 Source Guard
- IPv6 ND Inspection
- IPv6 RA Guard

Quality of service (QoS) and rate limiting

- Port rate limiting (shaping, policing)
- IEEE 802.1p Class of Service (CoS)
- Queue scheduling algorithms: Strict Priority/Weighted Round Robin (WRR)
- IEEE 802.1p priority tagging for management VLAN
- ACL-based traffic classification
- ACL-based CoS/DSCP mark assignment
- DSCP to CoS remarking
- CoS to DSCP remarking
- ACL-based VLAN assignment

Features and capabilities (continued)

Access control lists (ACL)

- L2-L3-L4 ACL (Access Control List)
- IPv6 ACL
- ACL based on:
 - Switch port
 - IEEE 802.1p priority
 - VLAN ID
 - EtherType
 - DSCP
 - IP protocol type
 - TCP/UDP port number
 - User Defined Bytes

OAM

- IEEE 802.3ah, Ethernet OAM
- IEEE 802.3ah Unidirectional Link Detection (UDLD)

Main management functions

- Configuration file download and upload via TFTP/SFTP
- Automated backup of configuration file via TFTP/SFTP
- Simple Network Management Protocol (SNMP)
- Command Line Interface (CLI)
- Web interface
- Syslog
- Simple Network Time Protocol (SNTP)
- Traceroute
- LLDP (IEEE 802.1ab) + LLDP MED
- Two 802.1Q headers traffic control
- Commands authorization using TACACS+ server
- IPv4/IPv6 ACL support for device control
- Switch access management — privilege levels for users
- Management interface blocking
- Local authentication
- IP addresses filtering for SNMP
- RADIUS and TACACS+ clients (Terminal Access Controller Access Control System)
- Telnet client, SSH client
- Telnet server, SSH server
- Macro commands
- Input commands logging via TACACS+
- DHCP autoprovision
- DHCP Relay (support for IPv4)
- DHCP Relay Option 82
- PPPoE Circuit-ID tag adding
- Flash File System
- Debug commands
- Rate limit of traffic to CPU
- Password encryption
- Ping (support for IPv4/IPv6)
- IPv4/IPv6 static routes support
- Support for several versions of configuration file

Monitoring functions

- Interface statistics
- CPU utilization monitoring per task and per queue
- RAM usage monitoring
- Temperature monitoring
- TCAM monitoring

Uninterruptible power supply¹

- Automatic switching to 12 V rechargeable battery when the primary power supply (220V) fails, and vice versa
- 12 V battery charging when operating from 220 V primary power supply
- Power supply type monitoring (SNMP)
- Notification of switching from one type of power to another
- Battery connection indication
- Low battery alarm
- Short circuit protection

MIB/IETF

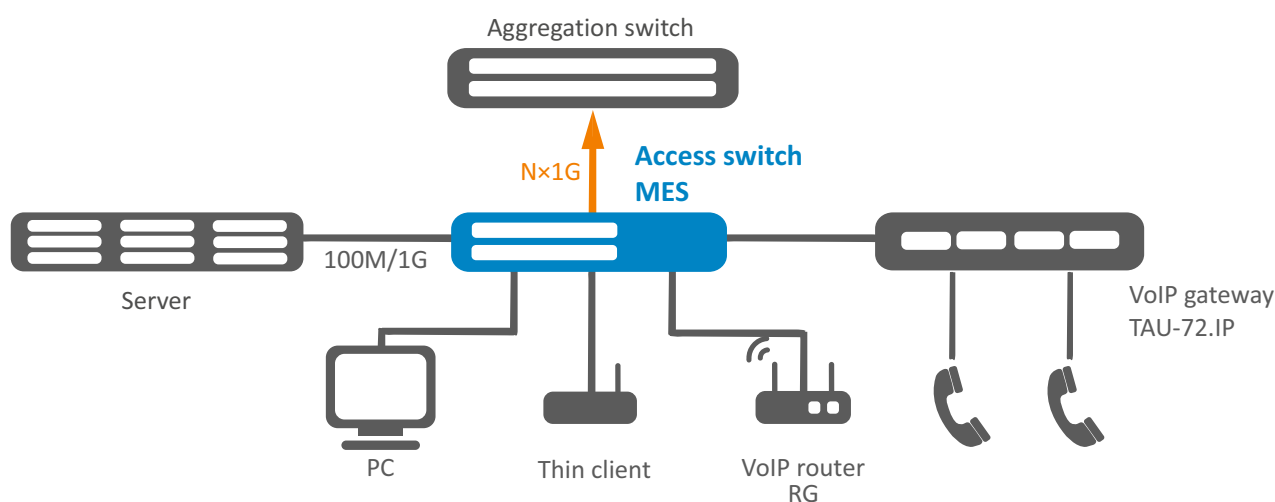
- RFC 1065, 1066, 1155, 1156, 2578 MIB Structure
- RFC 1212 Concise MIB Definitions
- RFC 1213 MIB II
- RFC 1215 MIB Traps Convention
- RFC 1493, 4188 Bridge MIB
- RFC 1157, 2571-2576 SNMP MIB
- RFC 1901-1908, 3418, 3636, 1442, 2578 SNMPv2 MIB
- RFC 2465 IPv6 MIB
- RFC 2737 Entity MIB
- RFC 4293 IPv6 SNMP Mgmt Interface MIB
- Private MIB
- RFC 1398, 1643, 1650, 2358, 2665, 3635 Ether-like MIB
- RFC 2668 802.3 MAU MIB
- RFC 2674, 4363 802.1p MIB
- RFC 2233, 2863 IF MIB
- RFC 2618 RADIUS Authentication Client MIB
- RFC 4022 MIB for TCP
- RFC 4113 MIB for UDP
- RFC 3289 MIB for Diffserv
- RFC 2620 RADIUS Accounting Client MIB
- RFC 768 UDP
- RFC 791 IP
- RFC 792 ICMPv4
- RFC 2463, 4443 ICMPv6
- RFC 793 TCP
- RFC 2474, 3260 Definition of the DS field in the IPv4 and IPv6 Headers
- RFC 1321, 2284, 2865, 3580, 3748 Extensible Authentication Protocol (EAP)
- RFC 2571, RFC 2572, RFC 2573, RFC 2574 SNMP
- RFC 826 ARP
- RFC 854 Telnet
- IEC 61850

¹Only for MES2408B.

Physical parameters

	MES2408 AC ^{CE}	MES2408 DC ^{CE}	MES2408B	MES2408C ^{CE}
Physical specifications and environmental parameters				
Power supply	110–250 V AC, 50–60 Hz	18–72 V DC	100–240 V AC, 50–60 Hz; 12 V DC	110–250 V AC, 50–60 Hz
Maximum power consumption	7 W	8.6 W	33 W	10 W
Maximum power consumption (without battery charge)	—	—	7 W	—
Heat dissipation	7 W	8.6 W	11 W	10 W
Input current	0.1–0.05 A	0.5–0.1 A	0.5–0.2 A for AC; 1.0 A for DC	0.15–0.1 A
Hardware support for Dying Gasp	no	no	no	yes
Operating temperature	from -20 to +60 °C	from -20 to +50 °C	from -20 to +50 °C	from -20 to +50 °C
Storage temperature	from -40 to +70 °C			
Operating humidity	no more than 80 %			
Cooling	passive			
Form factor	19", 1U			
Dimensions (W × H × D)	310 × 44 × 177 mm			
Weight	1.72 kg	1.72 kg	1.78 kg	1.77 kg

Use case



^{CE} — the device complies with CE requirements.


Ordering information

Name	Description
MES2408 AC	Ethernet switch MES2408 AC, 8 ports of 10/100/1000BASE-T, 2 ports of 100BASE-FX/1000BASE-X, L2, 110–250 V AC
MES2408 DC	Ethernet switch MES2408 DC, 8 ports of 10/100/1000BASE-T, 2 ports of 100BASE-FX/1000BASE-X, L2, 18–72 V DC
MES2408B	Ethernet switch MES2408B, 8 ports of 10/100/1000BASE-T, 2 ports of 100BASE-FX/1000BASE-X, L2, 100–240 V AC, 12 V DC
MES2408C	Ethernet switch MES2408C, 8 ports of 10/100/1000BASE-T, 2 ports of Combo 10/100/1000BASE-T/100BASE-FX/1000BASE-X, L2, 110–250 V AC

Related software

ECCM-MES2408_AC	ECCM-MES2408_AC option of Eltex ECCM management system for ELTEX network elements management and monitoring: 1 network element MES2408 AC
ECCM-MES2408_DC	ECCM-MES2408_DC option of Eltex ECCM management system for ELTEX network elements management and monitoring: 1 network element MES2408 DC
ECCM-MES2408B	ECCM-MES2408B option of Eltex ECCM management system for ELTEX network elements management and monitoring: 1 network element MES2408B
ECCM-MES2408C	ECCM-MES2408C option of Eltex ECCM management system for ELTEX network elements management and monitoring: 1 network element MES2408C

Contact us



+7 (383) 274 10 01
+7 (383) 274 48 48



eltex@eltex-co.ru



www.eltex-co.com

About ELTEX

ELTEX Enterprise is a leading Russian developer and manufacturer of communications equipment with 30 years of history. Complete solutions and their seamless integrability into Customer's infrastructure are the priority growth areas of the company.